

DecenTek®

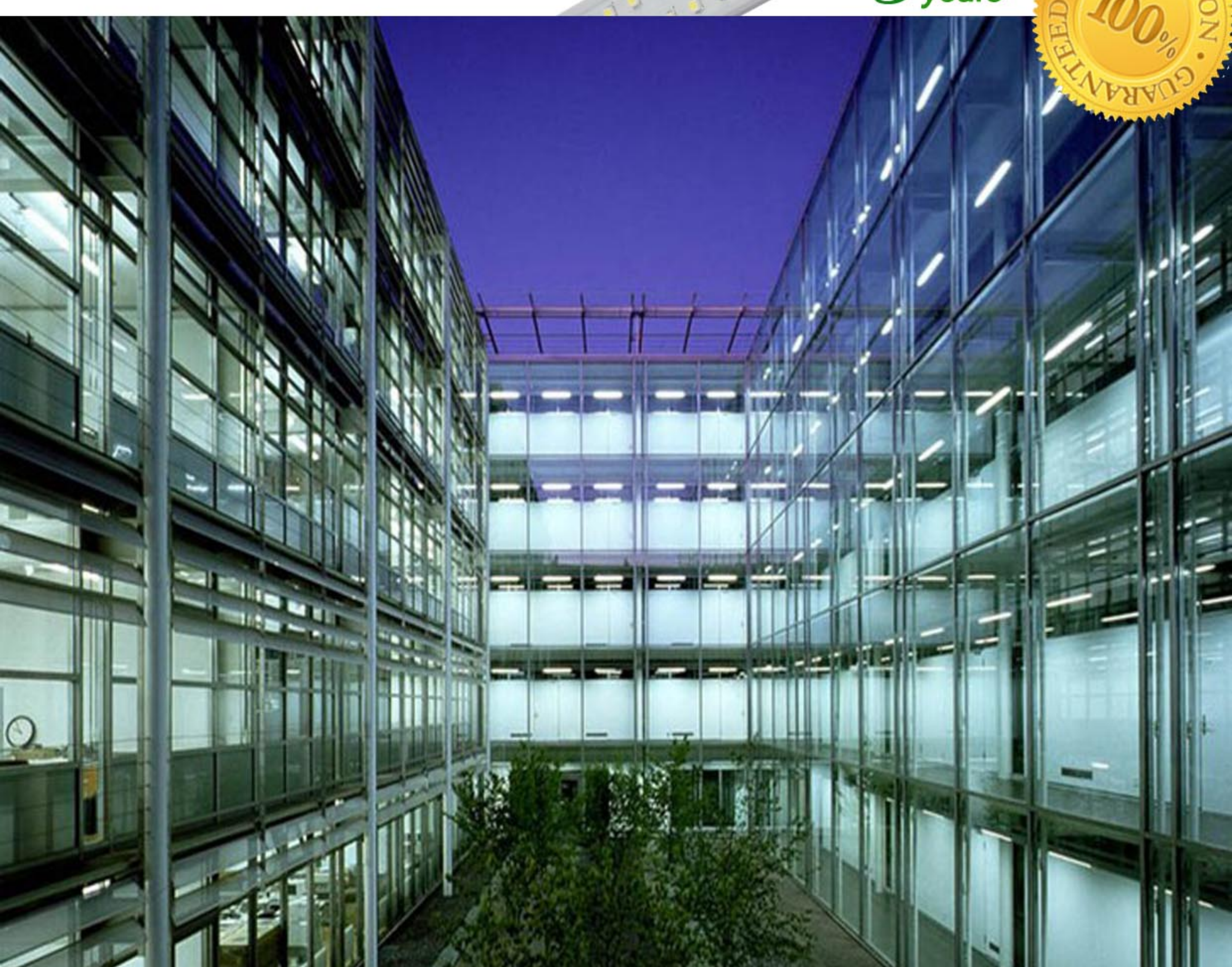
LED T8 G13 18W

◆ For replacement of fluorescent lamp 36w T8 : 18w (6000k, 3000k)

- Cost Savings of up to 50% compared to existing fluorescent lamps
- Lifespan of up to 50,000 hours
- No emission of UV and infrared wavelengths
- Optimal interior lighting with efficient heat sink design
- High intensity - optimal for offices, airports, factories, underground parking lots and convenience stores



3 years



DecenTek , Where Decent LED Light From.

decentek LED Lighting

DecenTek®

LED T8 G13 18W

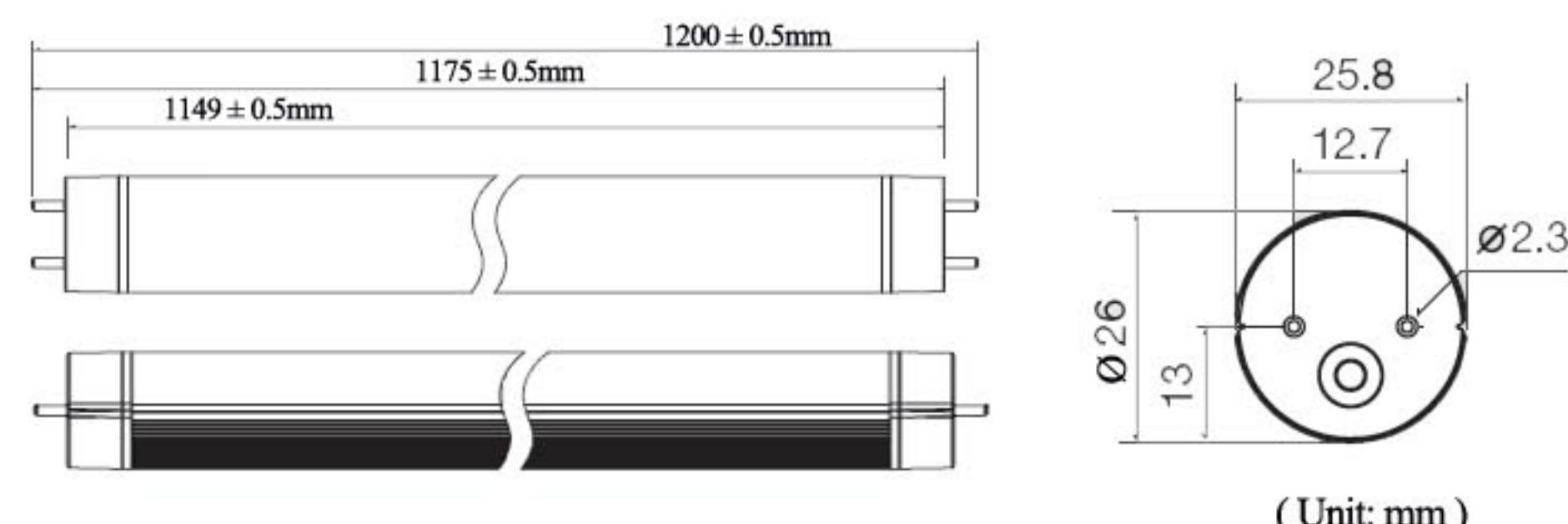


Specification

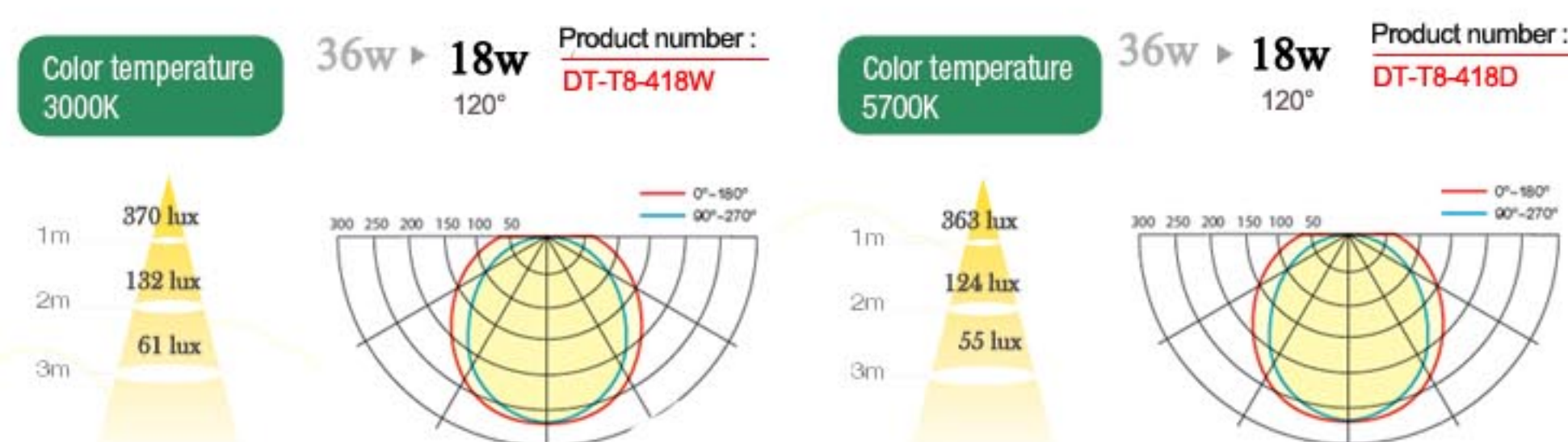
Item	Base	Power (W)	Voltage (V)	Luminous (lm)	Beam angle	CRI	Colour temperature	Size (mm)	Weight (g)
■ T8-418W	G13	18W	AC85-265V	1372lm	120°	78	3000K	Ø26x1200mm	468g
■ T8-418D	G13	18W	AC85-265V	1326lm	120°	73	6000K	Ø26x1200mm	468g

(Both Epistar Chip)

Dimensions



Direct-lit intensity & light distribution



- A. Transparent PC Cover
120°, the brightest!
(non-office place to use)
- B. Stripe PC Cover
160°, the beam angle supreme!
(public place to use)
- C. Frost PC Cover
120°, the Softest lighting!
(office place to use)

1 Optimal interior lighting

- I. The Best interior lighting for office and non-office place..
- II. Efficient heat sink design.
- III. effectively beam angle (120°) without lose brightness.

2 Economical & long lasting

- I. Cost savings of up to 64% compared to fluorescent lamps
- II. Lifespan of up to 50,000 hours (6.2 times than halogens)

3 Eco-lighting benefits & health & enviroment

- I. No harmful substances such as mercury or lead
- II. No emission of UV and infrared wavelengths (eyesight and skin protection)
- III. Reduces CO₂ emissions by conserving energy
- IV. Flicker-free and comfortable for the eyes

4 Recommended locations

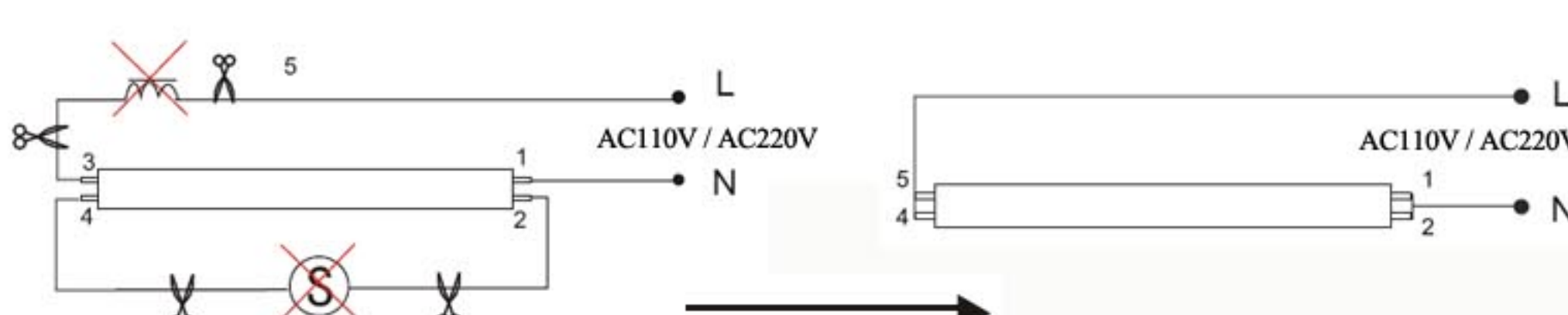


Comparison in economical efficiency

T8 Fluorescent lamp	DecenTek T8 LED Tube Lamp (36w replacement)
36w	18w 50% Savings
52lm/w	76lm/w 1.4 Times more
\$15.8	\$7.89 50% Savings
8000 hours	50,000 hours 6.25 Times more

• Electricity charge (China Standard) : \$0.15 / 1kwh
• With an average usage of 8 hours per day

How to replace the conventional fluorescent lamp



- A: remove ballast.
- B: remove starter.
- C: Connect the LED Tube to the AC110V / AC220V directly.

DecenTek Co.,Ltd.
Yantian industry park, xixiang, bao'an district, Shenzhen, China

Customer Service Call:
0086-0755-27797910

sales@decentled.com

www.decentled.com

