

Regulus **S2** Luminaire

1 Many Faces

Ring available in four colors

2 DMX-512

Digital Interface

3 Brightness/CCT

Adjust individually or in groups

4 Adjustable Angle

Put Light where you need it

5 Green Standby

Standby power only 0.36W

6 Warranty

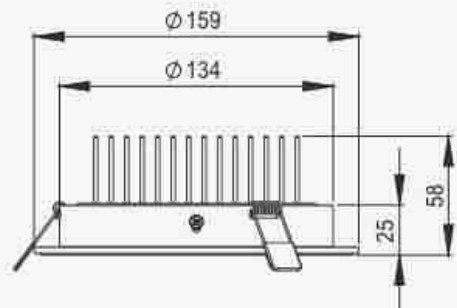
Three years



Installation
Diameter: 140mm

Options

1. Low (10W)/High (20W) Power
2. Ring in Black, White, Silver or Gold



Unit: mm

Model	Power (W)	Voltage (V)	CCT (K)	CRI(Ra)	Flux (lm)	Weight (g)
S2LB	10	36	2700-6500	80	900	560
S2HB	20	36	2700-6500	80	1300	560
S2LW	10	36	2700-6500	80	900	560
S2HW	20	36	2700-6500	80	1300	560
S2LG	10	36	2700-6500	80	900	560
S2HG	20	36	2700-6500	80	1300	560
S2LS	10	36	2700-6500	80	900	560
S2HS	20	36	2700-6500	80	1300	560