

LED Track Light

XTRAC



- Black 2-circuit track adapter
- White 3-circuit track adapter



40W Cylinder adjustable angle track light with COB module and built-in driver

APPLICATIONS

- Retail
- Display areas
- Museums
- Offices

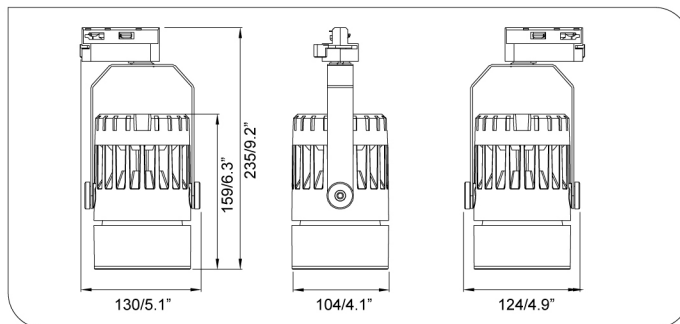
FEATURES

- Adopt genuine CREE COB module
- Patented optical reflector design, symmetric and round spectrum.
- 2-circuit, 3-circuit track installation available, easy to retrofit.
- Integrated heat sink with passive cooling
- White and Black finish in glossy and textured treatment
- 50% energy saving comparing to equivalent metal halide lamp.
- Built-in constant current isolated driver
- Lamp head swivels vertically and horizontally in 270 degree.
- Triac, PWM and DALI dimmer versions are customized

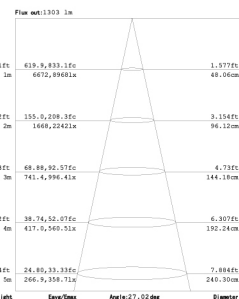
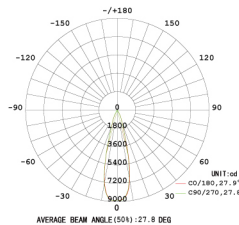
CONSTRUCTION

- Plastic gearbox on rear, lathe aluminum body painted with white and black.
- Spun and anodized high purity aluminum reflector.
- Robust bracket made of steel
- Polycarbonate track adapter, painted with white and black.
- Tempered glass top cover.

DIMENSION (mm/inch)



LUMINOUS INTENSITY DISTRIBUTION DIAGRAM



40W

40W



Model	Finish	Working Voltage	Diameter	LED Type	Power Consumption	CCT	CRI	Luminous Flux	Beam Angle
BVL301/40W	WH/BK	AC 85-264V	ø104mm	CREE COB	40W	3000K/4000K/5000K	>80	3200-3500lm	12°/24°/38°