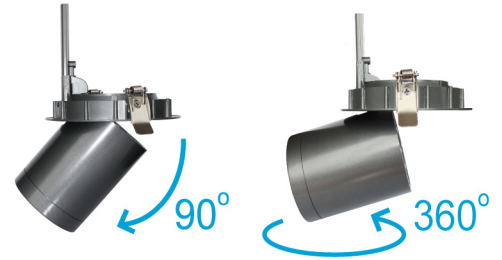


## FLEXSPOT



- Black
- White



### 20W/30W LED COB Grill Downlight with elastic head and remote driver

#### APPLICATIONS

- Retail
- Display areas

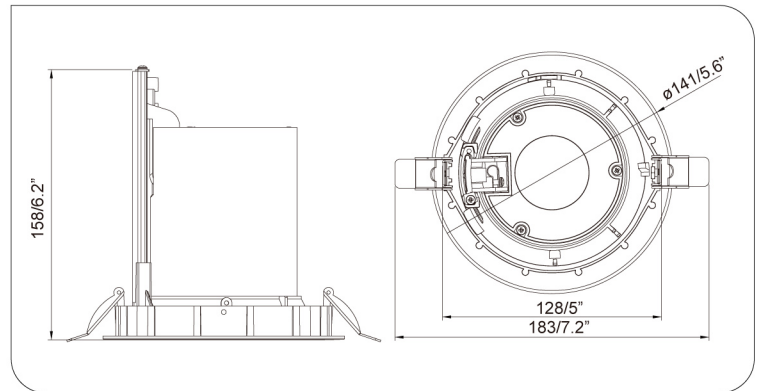
#### FEATURES

- Equipped with CREE 20W/30W COB
- Remote constant current driver
- Head can be pulled out completely from trim and rotate horizontally
- Plug/Socket connection between driver and body for easy installation
- 50% energy saving comparing to fitting with equivalent metal halide lamp
- Passive cooling
- Fit with tempered glass diffuser
- Powder coated and painting treatment available

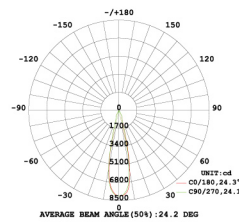
#### CONSTRUCTION

- Lathe aluminum lamp head
- Die-cast aluminum trim
- Oxidized high purity aluminum reflector

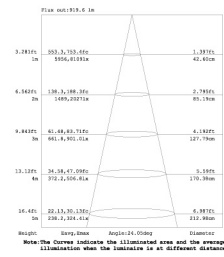
#### DIMENSION (mm/inch)



#### LUMINOUS INTENSITY DISTRIBUTION DIAGRAM



20W



20W



Model	Finish	Input Voltage	LED Type	Power Consumption	CCT	CRI	Luminous Flux	Beam Angle	Cutout Size
BVL226/20W	WH/BK	AC 85-264V	CREE COB	20W	3000K/4000K/5000K	>80	1400-1600lm	15°/24°/38°	Ø130mm
BVL236/30W	WH/BK	AC 85-264V	CREE COB	30W	3000K/4000K/5000K	>80	2100-2400lm	15°/24°/38°	Ø130mm