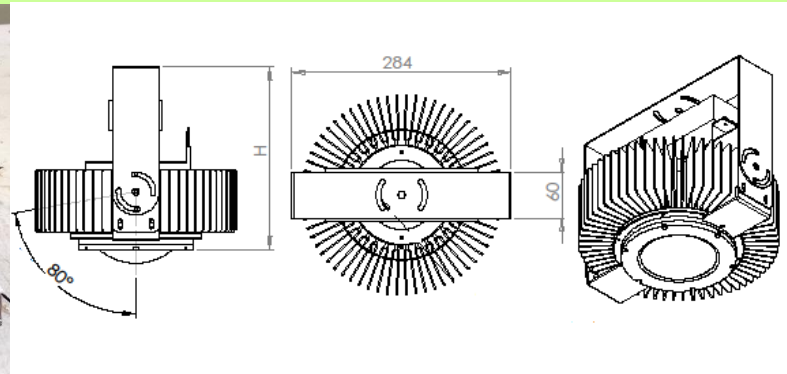


# The Real LED Lights in the world



MoriLite 100% own designed , particularly the 1<sup>st</sup> manufacturer in the world to combine & integrate the C.O.B. with Flip Chip + Vapor Chamber technology on our LED resource and with excellent performance of cooling technology .

## Multi-Purpose Lights

Applicable for Hi-Bay 、 Stadium 、 Arena 、 Studio 、 Airport 、 Flood & Bottom 、 Offshore Wells 、 Fisherman 、 Tobacco Warehouse 、 Swimming Pool Lights

Model No.	ML – BL 200A
Certificates	CE 、 RoHS 、 PSE 、 UL
Power Rated	200 W

Voltage Rated	100 ~ 277 V AC	
Frequency	50 / 60 Hz	
Power Consumption	< 212 W	
Light Halo Phenomenon	None	
Color Temperature	3,000K	5,000K
Color Rendering Index	> 80	> 75
Luminance Efficiency ( Lm/W )	> 94	> 104
Luminance Flux ( Lm )	> 20,000	> 22,000
Average Beam Angle	48° 、 60° 、 90° 、 135° x60°	
Life-Time 、 Light Decay < 30%	> 100,000 Hrs	
Light Decay after 100,000 hours	< 30 %	
Warranty	LED	10 years or 100,000 hours
	Power Drive Units	5 years or 50,000 hours
Power Drive Efficiency	> 94 %	
Power Factor	> 95 %	
System Efficiency	> 94 %	
The Application of High	12 ~ 18 Meters	
Illumination ( Lux. )	➤ 64 @ 15M height	
Dimension ( mm )	§ 260 x 226	
Net Weight ( Kg )	< 7	

Ingress Protection	IP 67
Loading Quantity : w/Pallet (20/40ft)	432 / 972 ctns
w/o Pallet (20/40ft)	686 / 1,260 ctns
Ambient Temperature	- 40 ~ + 70 °C
Storage Temperature	- 40 ~ + 80 °C
Can replace Hi-Pressure Sodium	750 W
Can replace Mercury Lamp	1,200 W
Can replace Metal Halide Lamp	750 W
<b>The Advantages of MoriLite C.O.B. LED Street Light · Hi-Bay · Stadium · Arena · Studio · Airport · Flood &amp; Bottom · Offshore Wells · Fisherman · Tobacco Warehouse · Swimming Pool Lights ◦</b>	
● Can replace the traditional metal halide lamp or mercury vapor lamp or electrode less lamp ◦	
● Excellent thermal performance , service life of up to 100,000 hours and/or 10 years ◦	
● Specially designed aluminum extrusion , shell Premium cooling effect , and has IP 67 grade ◦	
● Stadium · Arena · Gymnasiums · Studio · Airport · Offshore Wells · Fisherman · Tobacco Warehouse and so on apply ◦	

★ The company reserves the right to change these specifications and w/o prior notice ◦

Manufacturer :

清鈺有限公司 **Qing Yu Opto Inc.**

Contact : **Moris Hsu** E-mail : [morishsu@msn.com](mailto:morishsu@msn.com) Hotline(24H/365D) : + 886-921 91 56 91