

Product Specification

120W LED Aisle Lights

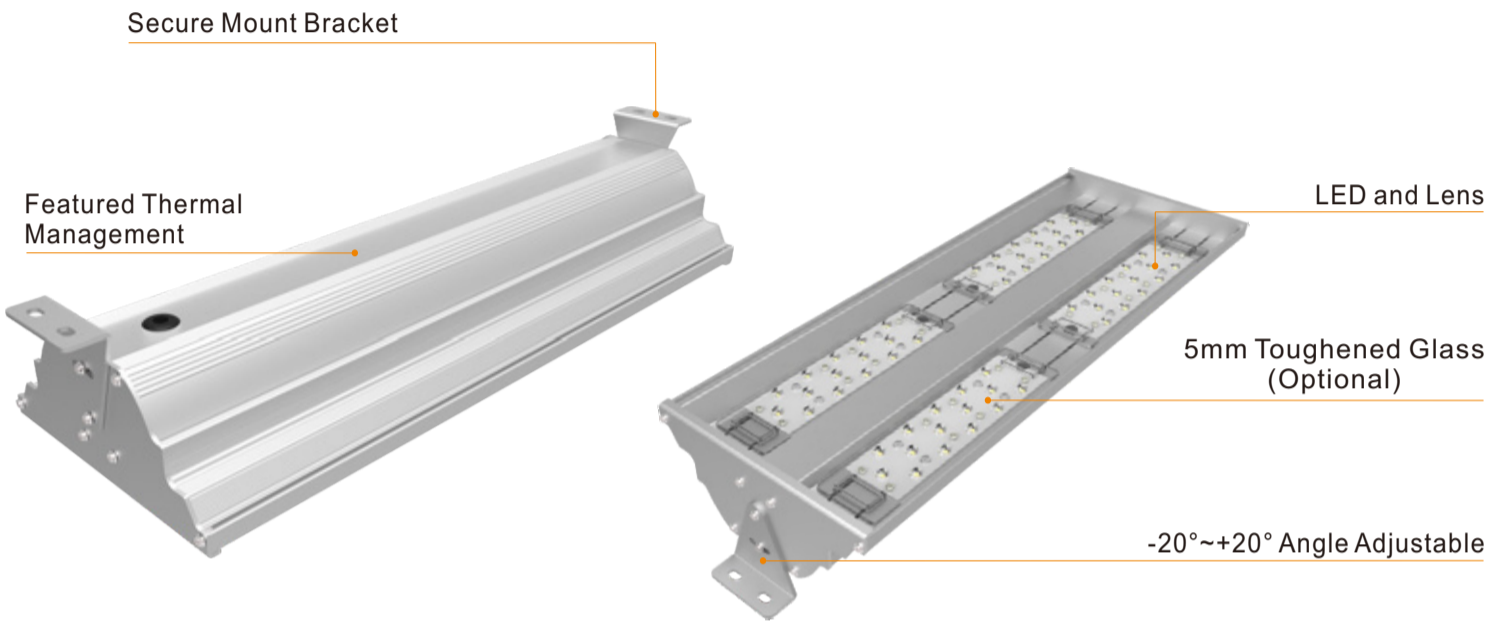
YHL-AI-120



IP30



Structure Diagram



Product Specification

Model	YHL-AI-120
Power	120W
LED Type	
Power supply	
CCT	4500-5500K (2500-5500K Optional)
Light Efficiency	≥90lm/W
Luminous Flux	>11000lm
Beam Angle	40/80°
Heat Sink Surface Temperature	63°C (Room Temperature 30°C)

HID Replacment (based on Philips)	250W
Input Voltage	AC 100-277V
Net Weight	4.8kg ± 0.4kg
Lifetime	≥50000 Hrs
Outlook Dimensions	L666mm×W220mm×H130mm
Ligh Body Package Outer Dimensions	1 piece/package: L695mm×W305mm×H180mm
Fixture Material	Aluminum Alloy+PC Lens
IP Level	IP30
Luminaire Base Temperature	69°C (Room Temperature 30°C)

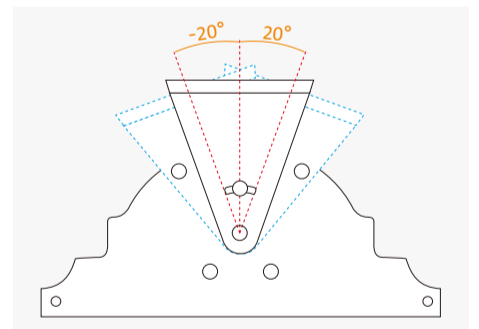
Component Parts



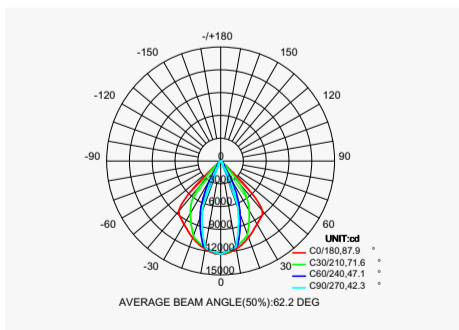
Meanwell Power



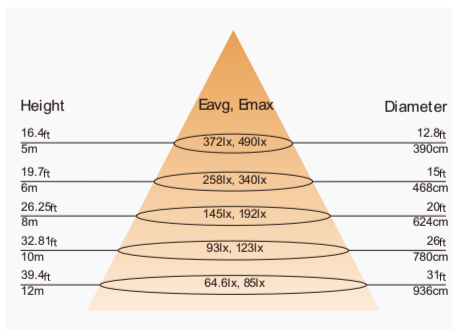
Dimmable Power(Optional)



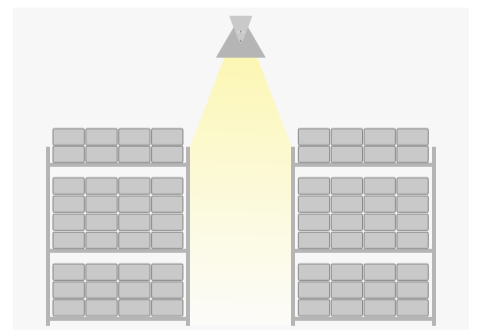
-20°~+20° Angle Adjustable



Photometry



Illumination Figure



Installation diagram

The actual Proportion

