

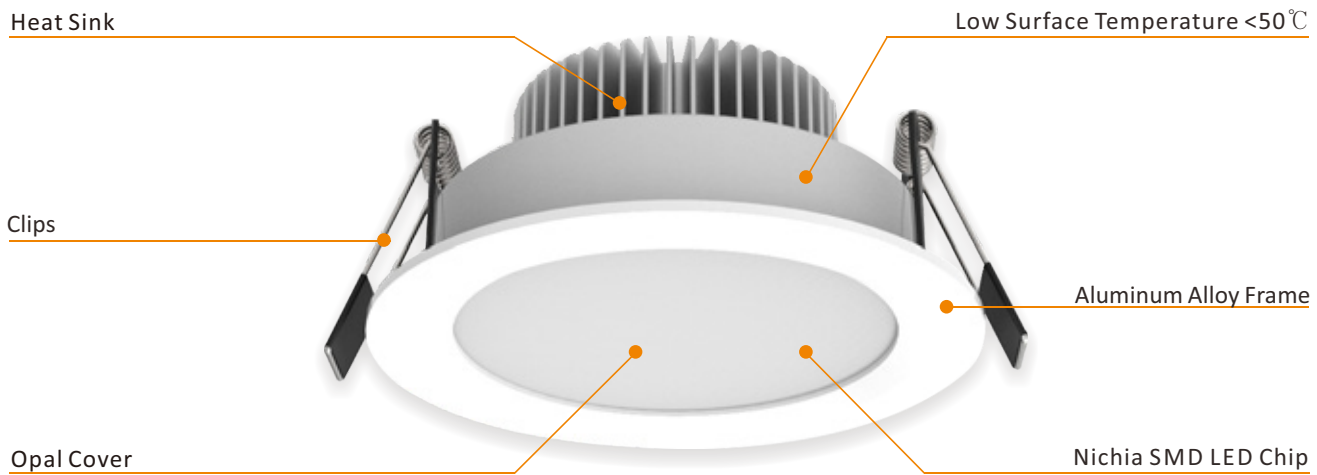
Product Specification

7W LED Down Light

YHL-DL-7



Structure Diagram



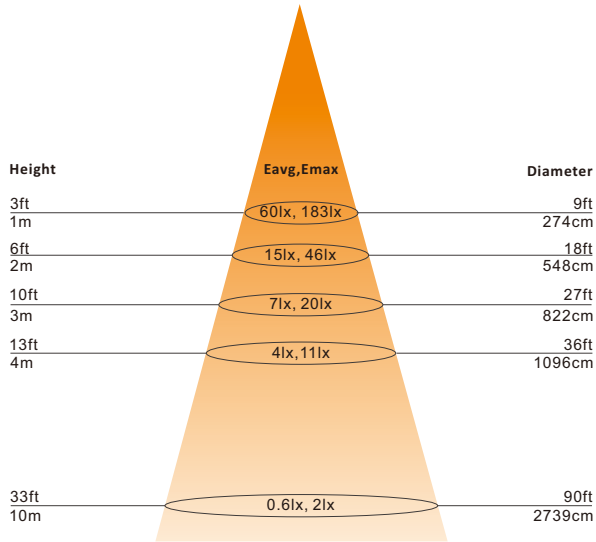
5 Years Warranty

Product Specification

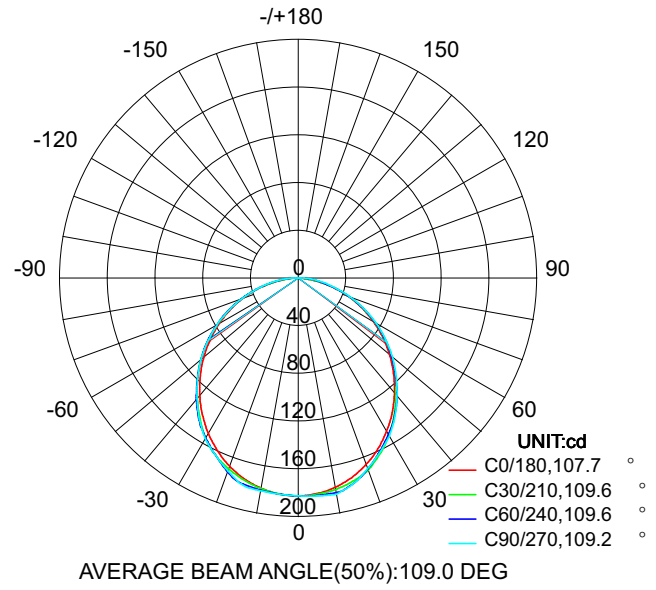
Model	YHL-DL-7
LED Type	NICHIA
CCT	4500-5000K(2700-3200K Optional)
Luminous Flux	>500 lm
Beam Angle	110°
HID Replacment	12W
Net Weight	260g±10g
Heat Sink Surface Temperature	47°C (Room Temperature 27°C)
Working Temperature (Environment)	-25°C - +55°C

Power	7W
CRI	≥80 Ra
Fixture Material	Aluminum + PMMA Scrub Mask
Light Efficiency	≥70lm/W
IP Level	IP30
Input Voltage	AC90-264V
Lifetime	≥50000 Hrs
Luminaire Base Temperature	49°C (Room Temperature 27°C)
Outlook Dimensions	L124mm×W110mm×H57mm

Illumination Figure



Photometry



Component parts



clips for easy installation

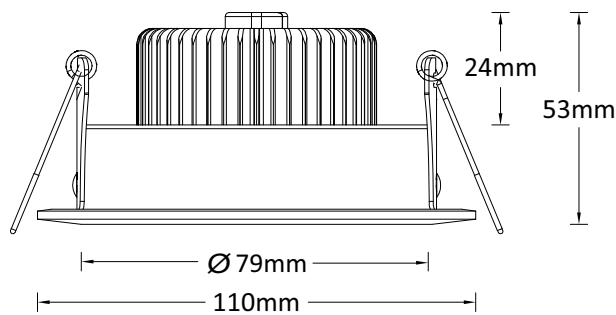


Low Surface Temperature <math>< 50^{\circ}\text{C}</math>



aluminum alloy heat sink

The actual Proportion



Installation diagram

