

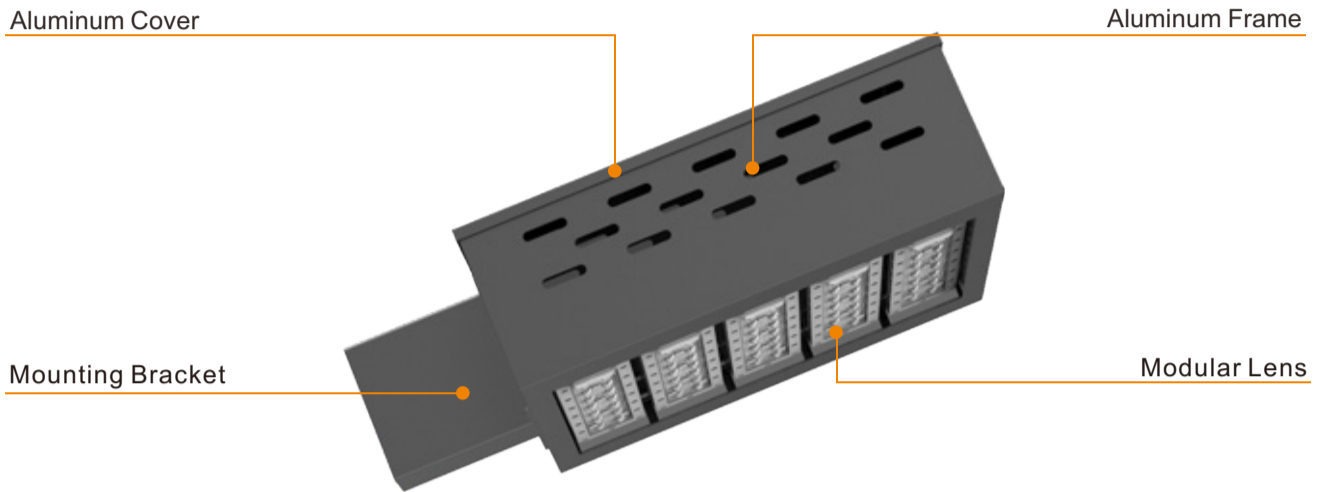
## Product Specification

150W LED Street Light(FH)

YHL-ST-150(FH)



## Structure Diagram

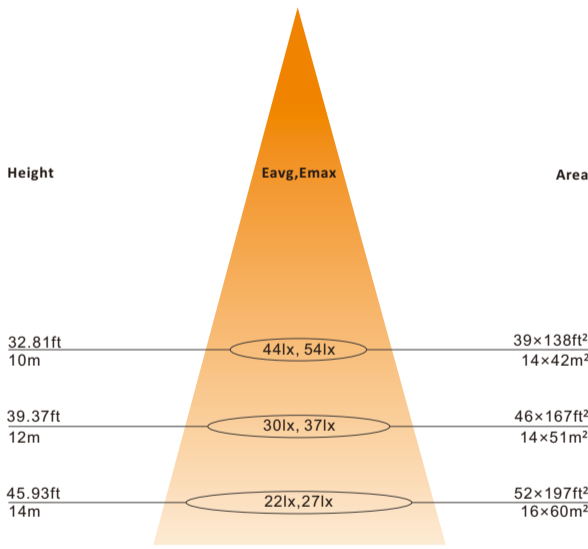


## Product Specification

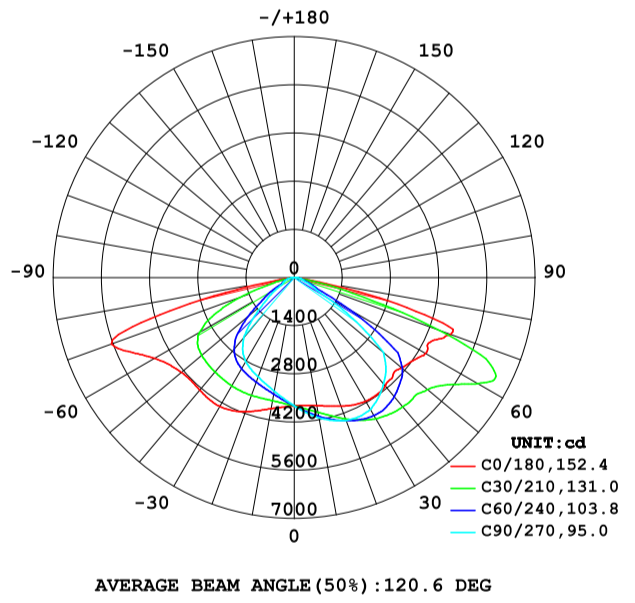
Model	YHL-ST-150(FH)
LED Type	NICHIA
CCT	4700-5300K (2700-3500 Optional)
Luminous Flux	>13500 lm
Beam Angle	80/150°
HID Replacment (based on Philips)	240W
Net Weight	9.6kg±0.4kg
Heat Sink Surface Temperature	50°C (Room Temperature 30°C)
Working Temperature (Environment)	-30°C - +55°C
Color Rendering Index	≥70

Power	150W
LED Chip Quantity	70 pcs
Fixture Material	Aluminum Alloy+PC Lens
Light Efficiency	≥90lm/W
IP Level	IP65
Input Voltage	AC100-277V
Lifetime	≥50000 Hrs
Luminaire Base Temperature	58°C (Room Temperature 30°C)
Outlook Dimensions	L380mm×W406mm×H136mm
Package Dimensions	L460mm×W486mm×H216mm

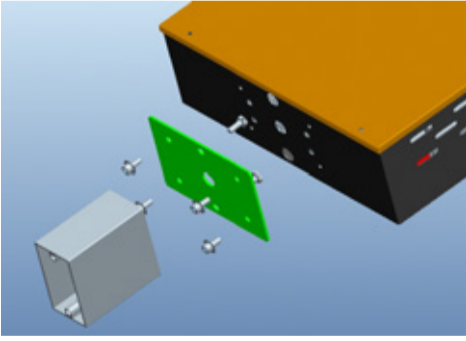
## Illumination Figure



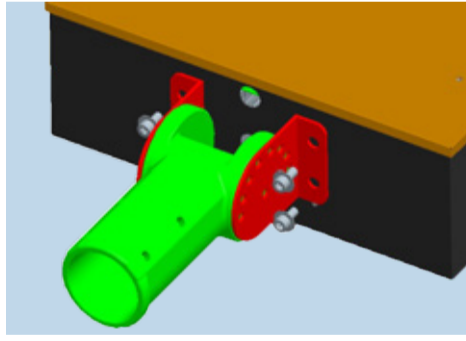
## Photometry



## Component parts



Installation For Round Pole

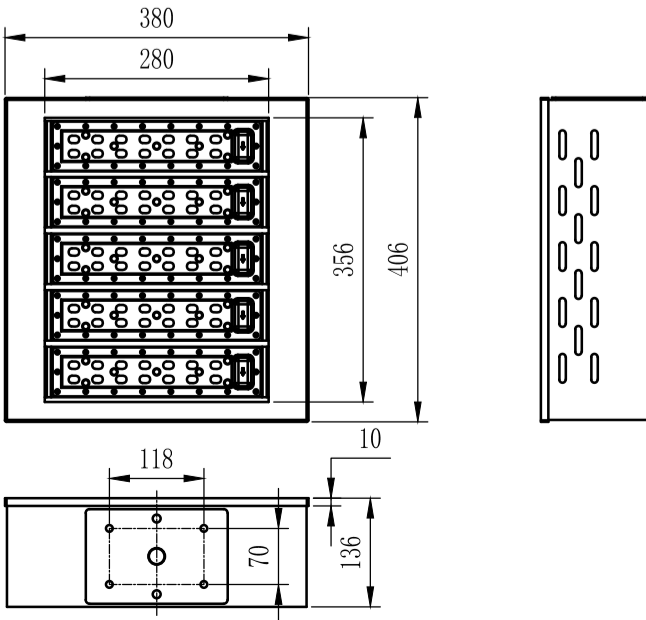


Installation For Square Pole



Meanwell Power

## The actual Proportion



## Installation diagram

