

# **Reflex LED Wall Pack**

## **Type III and Type IV Optical Packages**



### **Features**

- Patented low glare optics designed specifically for LED's
- Two optical distributions, medium throw (type III) and forward throw (type IV)
- 97% reflective Miro Silver reflector optimized to provide superior light distribution.
- Borosilicate glass lens will not fade or yellow over time.
- Die cast aluminum housing features a durable powder coat finish over chromate conversion coating, multiple coin plugs and a pre-cast mounting template for 4" recessed box.
- LM-79 tested
- UL 1598 and CSA C22.2 No 250.0-08 approved



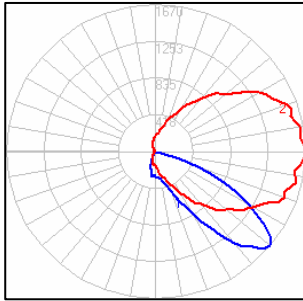
### **Specifications**

- Input: 120-277 VAC 50/60 Hz
- Power: 28.5W
- Power Factor: > .97
- Operating Temperature Range: -40 - 50 deg. C
- CCT: 5000K
- CRI: 67
- Delivered Lumens:
  - WP-30-MT-50 Medium Throw, Type 3; 2113 lumens, 74 lm/W
  - WP-30-FT-50 Forward Throw, Type 4; 1972 lumens, 70 lm/W

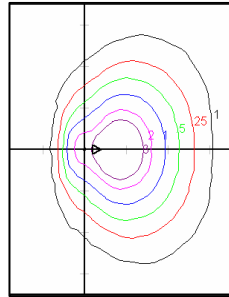


Assembled in the USA

## Photometric Data



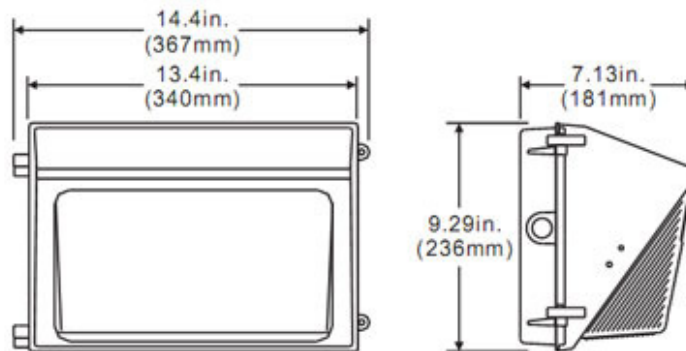
Type III Polar Plot



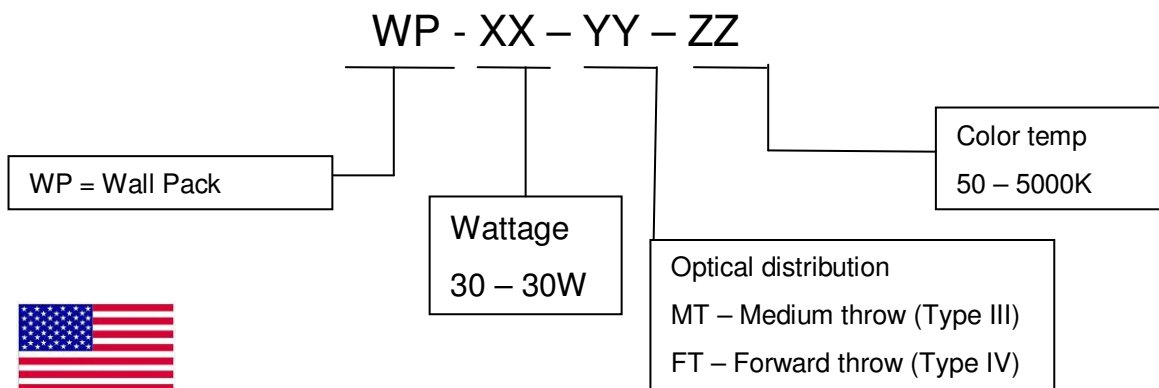
Type III ISO ft-cd plot (10 ft MH)

Visit [www.illuminationoptics.com](http://www.illuminationoptics.com) for full LM-79 reports.

## Dimensional Data



## Part Number Matrix



Assembled in the USA

Meets ARRA requirements

Rev C 313

***Illumination Optics Inc.***

10437 Innovation Dr. Suite B7 Wauwatosa, WI 53226 USA 414-526-9169 [www.illuminationoptics.com](http://www.illuminationoptics.com)