



EIC® LED FLOOD LIGHTING SOLUTIONS

DATASHEET

(UFO Series)

General Features and Applications

EIC High Power LED Flood Light is a new solution for traditional industrial illumination. Direct connection to 85~265VAC AC Power, the LED Flood Light embodying state-of-the-art high power LED technology is a green “environmental friendly” product.

- Professional light optics
- CITIZEN COB LED chips
- High Transmission glass lens with various Beam
- Reduced excessive lighting and light pollution
- Higher efficacy, up to 85 lm/W, more energy and money saving
- Unique *thermal management*
- Durability, IP67 driver
- Aero superior aluminum alloy body, super conductive coating
- Longer lifespan ≥ 50,000hrs, low maintenance
- RoHS compliant

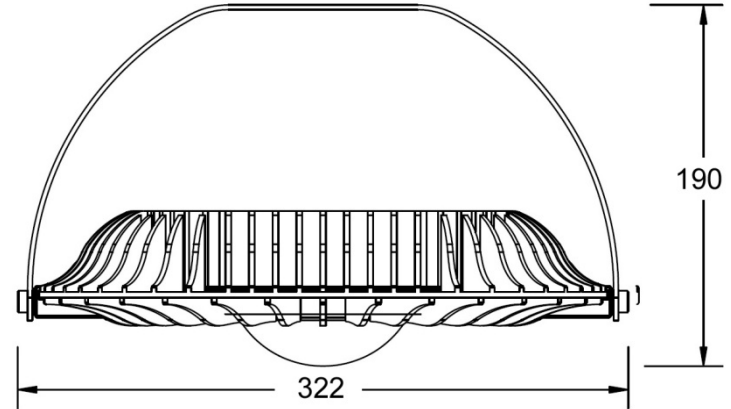
For exterior and interior area lighting: e.g. Factories, plants, warehouse, exhibition halls, gym, supermarket and other indoor and outdoor area lighting.

Model: SC-TG030B0 30W UFO Series

Dimensions



Drawing



Technical Specifications

Model: SC-TG030B0

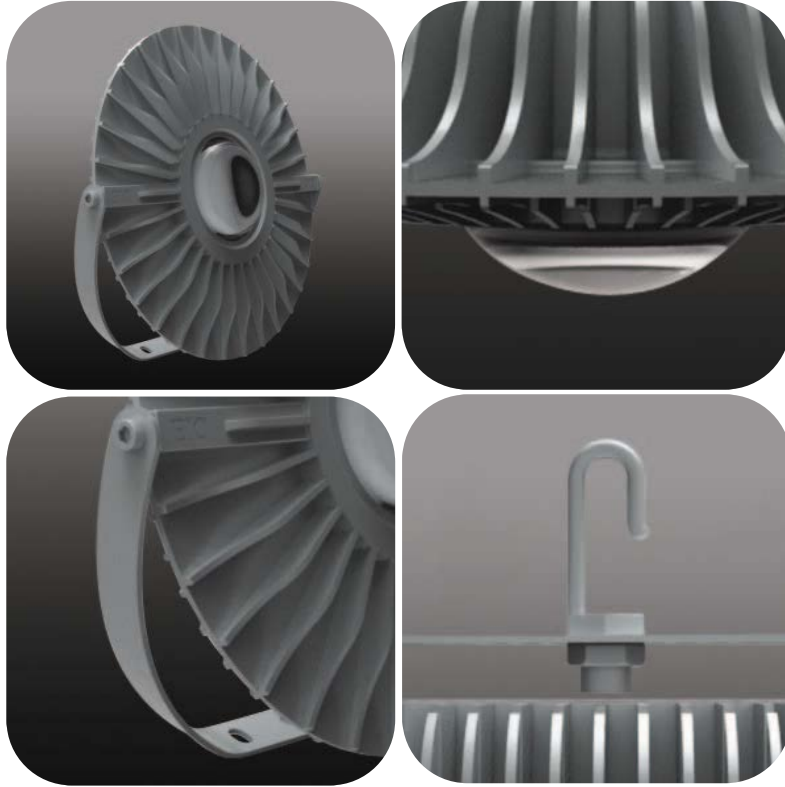
- Light type: LED UFO lights
- Input Voltage: 100-240v AC
- Input Power: 45W*
- Beam Angle: 30/50/80/110deg*
- LED Source: CITIZEN/Lustrous COB LED
- Case Temperature: <45°C (Ta=25°C)
- Working Temperature: -20°C ~ 45°C
- Color Temperature (CCT): 3000/5000
- IP Rating: IP67 driver, IP65 whole lamp
- Life Span: 50,000 hrs
- Net weight: 4.0kg
- High quality, robust aluminum heat sink

Model	LEDs	Color	CCT (K)	Luminous Flux* (lm)	Light Efficacy* (lm/W)	Color Rendering Index* (CRI: Ra)
SC-TG030B0	1	Warm white	3000	2250	75	85
	1	Neutral white	5000	2550	85	70

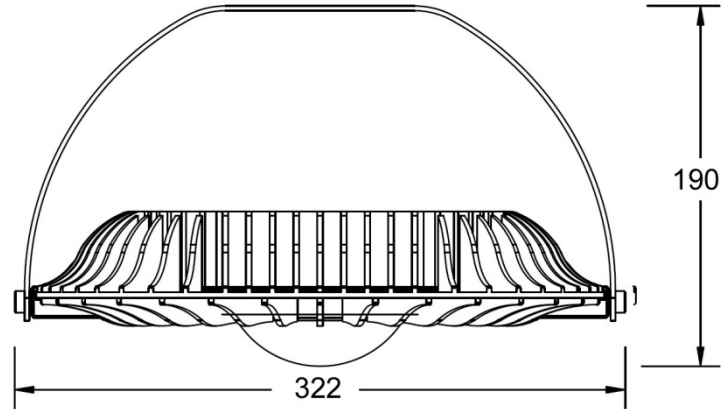
Note: * ±10% will be allowed

Model: SC-TG045B0 45W UFO Series

Dimensions



Drawing



Technical Specifications

Model: SC-TG045B0

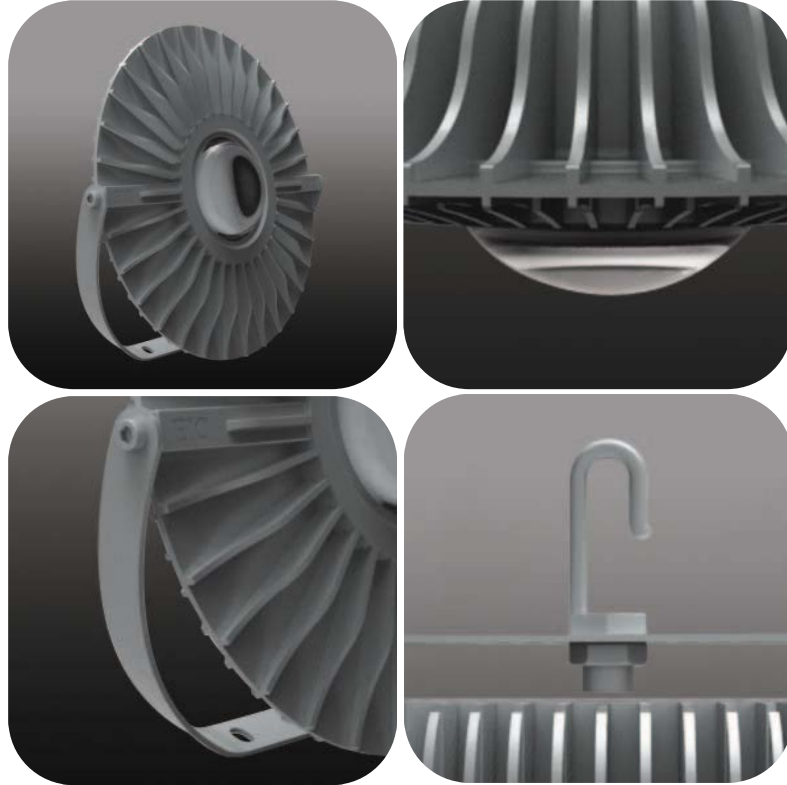
- Light type: LED UFO lights
- Input Voltage: 100-240v AC
- Input Power: 45W*
- Beam Angle: 50/80/110deg*
- LED Source: CITIZEN/Lustrous COB LED
- Case Temperature: <math><45^{\circ}\text{C}</math> ($T_a=25^{\circ}\text{C}</math>)$
- Working Temperature: $-20^{\circ}\text{C} \sim 45^{\circ}\text{C}$
- Color Temperature (CCT): 3000/5000
- IP Rating: IP67 driver, IP65 whole lamp
- Life Span: 50,000 hrs
- Net weight: 4.0kg
- High quality, robust aluminum heat sink

Model	LEDs	Color	CCT (K)	Luminous Flux* (lm)	Light Efficacy* (lm/W)	Color Rendering Index* (CRI: Ra)
SC-TG045B0	1	Warm white	3000	3375	75	85
	1	Neutral white	5000	3825	85	70

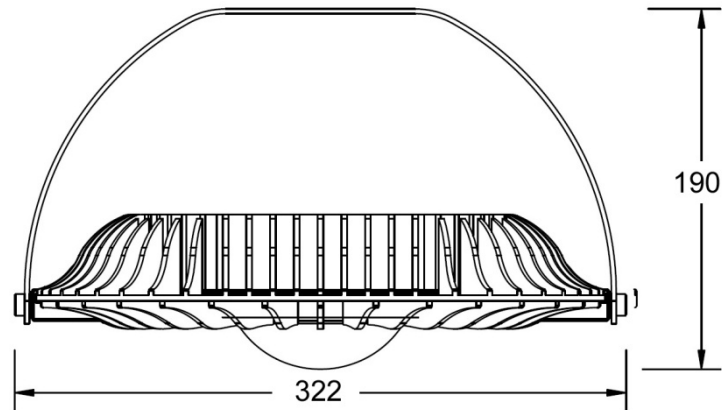
Note: * $\pm 10\%$ will be allowed

Model: SC-TG065B0 65W UFO Series

Dimensions



Drawing



Technical Specifications

Model: SC-TG065B0

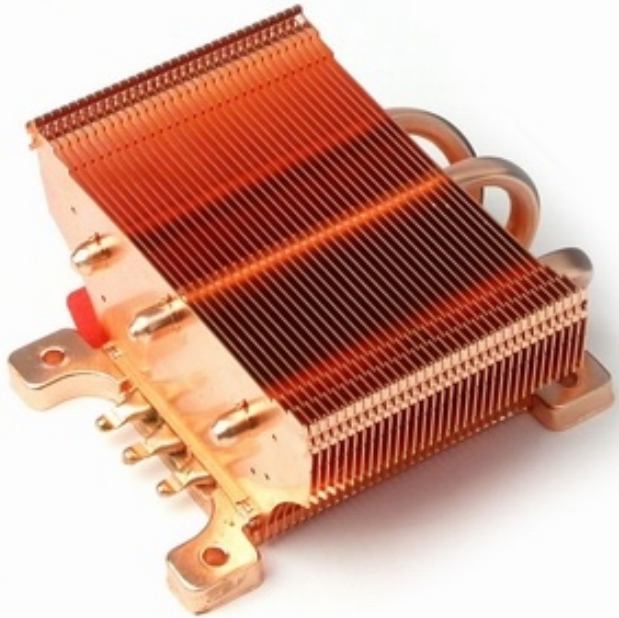
- Light type: LED UFO lights
- Input Voltage: 100-240v AC
- Input Power: 65W*
- Beam Angle: 80/110deg*
- LED Source: CITIZEN/Lustrous COB LED
- Case Temperature: <math><45^{\circ}\text{C}</math> ($T_a=25^{\circ}\text{C}</math>)$
- Working Temperature: $-20^{\circ}\text{C} \sim 45^{\circ}\text{C}$
- Color Temperature (CCT): 3000/5000
- IP Rating: IP67 driver, IP65 whole lamp
- Life Span: 50,000hrs
- Net weight: 4.0kg
- High quality, robust aluminum heat sink

Model	LEDs	Color	CCT (K)	Luminous Flux* (lm)	Light Efficacy* (lm/W)	Color Rendering Index* (CRI: Ra)
SC-TG065B0	1	Warm white	3000	4875	75	85
	1	Neutral white	5000	5525	85	70

Note: * $\pm 10\%$ will be allowed

Unique Features and Advantages

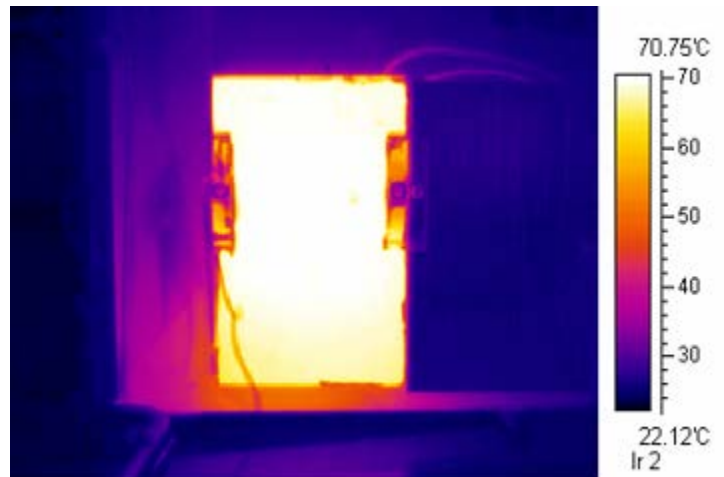
a) Unique HEAT PIPE and VAPOR CHAMBER Technology



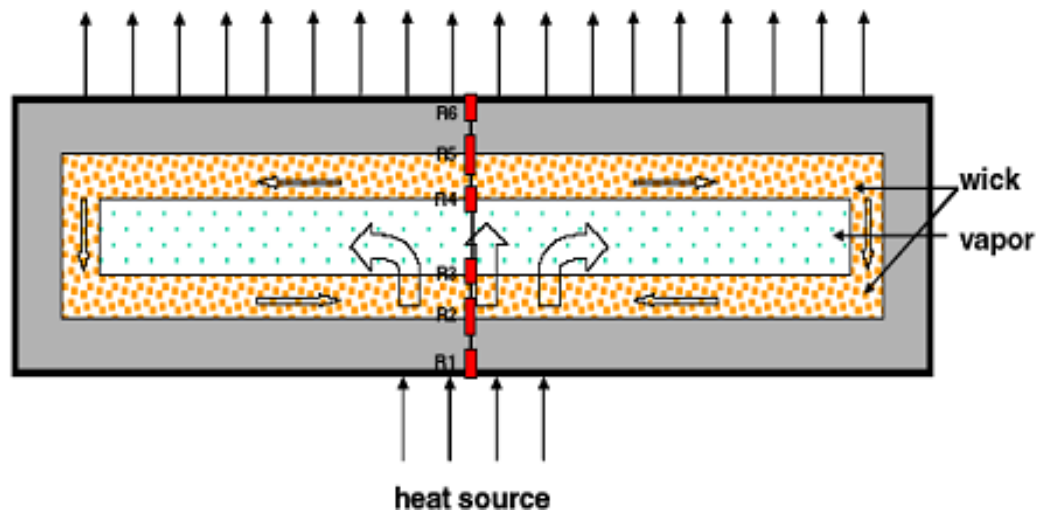
- Phase change loop cooling system, quicker heat diffusion
- The housing applied for heat dissipation
- Lower junction temperature: $T_c \leq 45^\circ\text{C}$
- Higher fixture luminous efficacy: 90~100lm/W
- Less lumen depreciation: <1% (3,000hrs tested)
- Longer lifespan >50,000hrs
- Less weight: minimum 4.5kg

Phase change cooling system

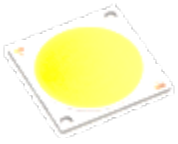
Higher thermal conductivity
 Swifter heat diffusion, subtle temperature deviation
 Even heat distribution on housing
 The whole shell as heat sink, less weight and cost



Principle of VAPOR CHAMBER



b) High Efficient LIGHT ENGINE



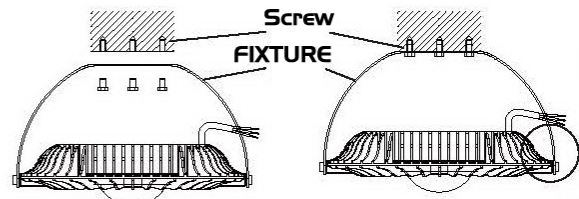
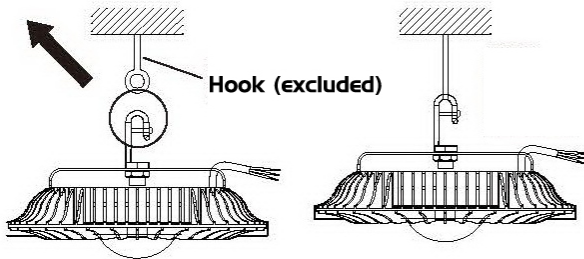
- Imported COB chips
- High efficacy, up to 120lm/W
- Stable lamination
- No overlapped images

- Self patented lens
- Various beam angle
- High Transmission
- Rectangular or round Beam
- Reduced glare and increased visibility

- World famous drivers
- High efficiency
- IP67, safety and reliability
- Easy replacement

c) Installation

UFO Installation



100-240V AC
Black (ACL)
White (ACN)
Green (GND)

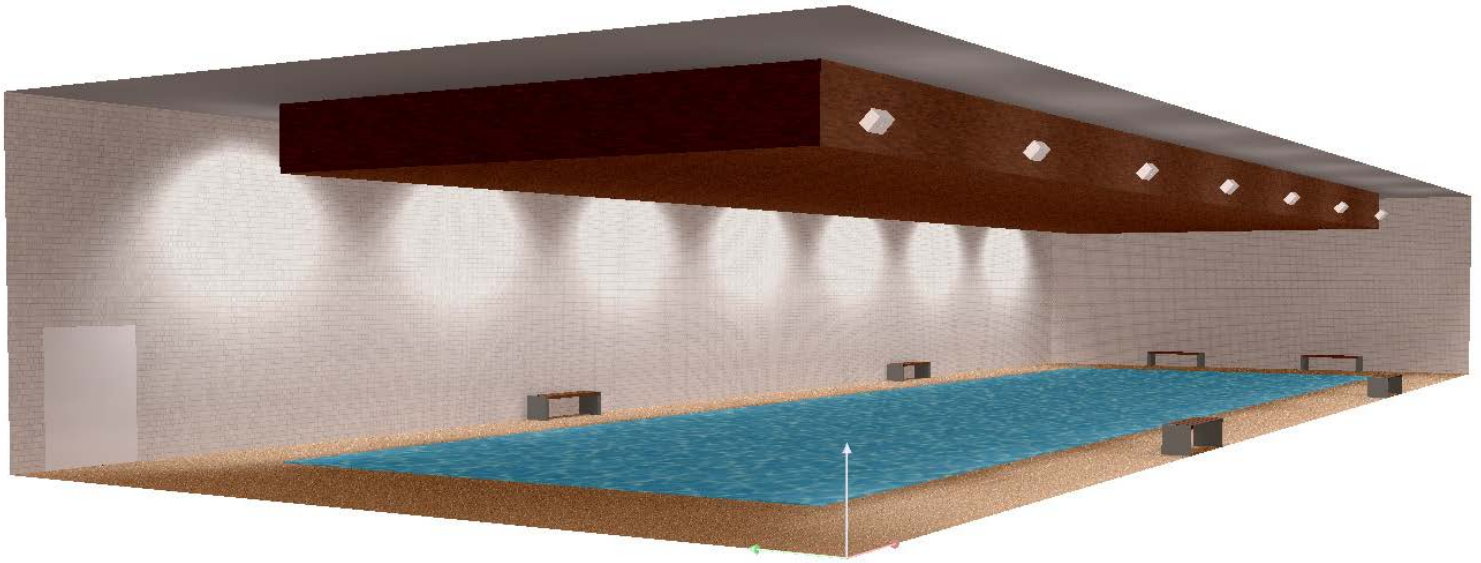


d) Certificates and Patents

Total 41 patent applications were submitted

- 20 passed patents
- 21 pending patents
- 1 international patent application
- ISO quality system



e) Professional Lighting Solutions

We are not only high quality LED flood light manufacturer, but also have the ability to provide lighting solutions and financial calculation for customers' reference. Please contact us for project quotation.

Other declarations

All rights reserved. Reproduction in whole or in part is prohibited without the prior written consent of the copyright owner. The information presented in this document does not form part of any quotation or contract, is believed to be accurate and reliable and may be changed without notice. No liability will be accepted by the publisher for any consequence of its use. Publication thereof does not convey nor imply any license under patent or other industrial or intellectual property rights.