

LED BULB SERIES

DIMMABLE LED A60

Dimmable Non-dimmable

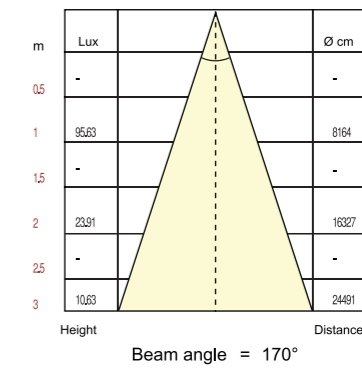
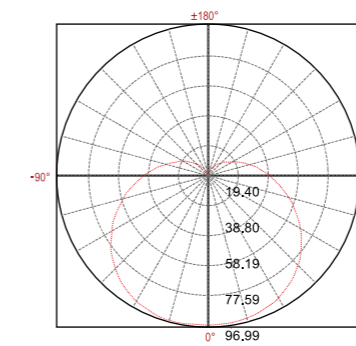


- 1.8W 600 LM
- 2.Beam angle >170D
- 3.Dimmable



Model No.	Colour Temperature (K)	Rendering Index (ra)	Luminous Flux (lm)	Efficiency (lm/W)	Beam Angle (°)	Max. Luminous Intensity (cd)	Lamp Life (hrs)	Wattage (W)	Voltage (V)	Frequency (Hz)	Power Factor	Diameter (mm)	Length (mm)	Weight (g)	Lamp Base
LB60-08W01	2700-6500	80	600	75	170°	97	30,000	8	100-240	50/60	>0.9	60	113	80	E27

Light intensity distribution curve



- 1.7W 550 LM
- 2.Beam angle >200D
- 3.Dimmable



Model No.	Colour Temperature (K)	Rendering Index (ra)	Luminous Flux (lm)	Efficiency (lm/W)	Beam Angle (°)	Max. Luminous Intensity (cd)	Lamp Life (hrs)	Wattage (W)	Voltage (V)	Frequency (Hz)	Power Factor	Diameter (mm)	Length (mm)	Weight (g)	Lamp Base
LB60-07W02	2700-6500	>80	550	80	200°	67	30,000	7	100-240	50/60	0.8	65	127	80	E27/B22

Light intensity distribution curve

