



MODEL: SL090588HW60

OASISTYLE LIGHTING CO., LTD.

REV

A

DATE

2009-09-30

T8 2-foot level of LED lamps home lighting

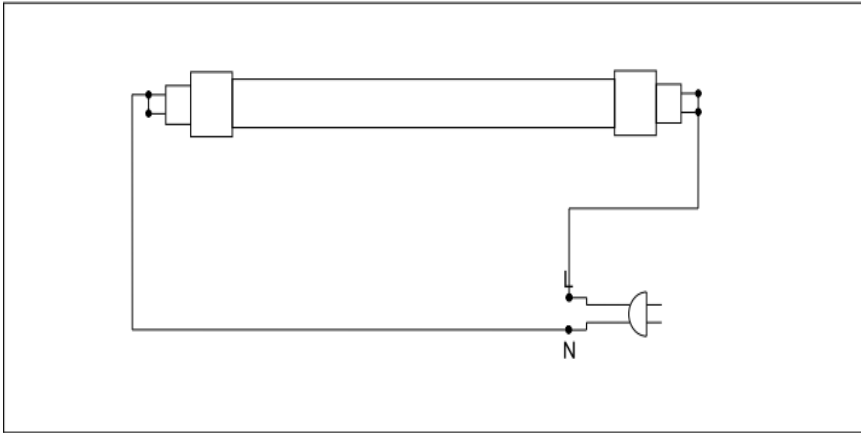
2 Year Life Span Warranty

INPUT	POWER CONSUMPTION	9W
	INPUT VOLTAGE RANGE	85~ 265V/AC
	INPUT FREQUENCY RANGE	47~63 Hz
	POWER FACTOR	>0.9
	EFFICIENCY	> 88%
Output	Output Current(mA)	±3%
	Thermo shift (%)	±3%
Protection	Short Protection	Automatic Recovery
	Over Voltage Protection	Automatic Recovery
	Over Current Protection	Automatic Recovery
	Over Temp. Protection	Automatic Recovery
Environment	Operating Temp.(°C)	-10~ + 85
Others	Standard Size(mm)	588 mm Weight: < 200g
<p>With dual tone PVC housing to specify top/ bottom of light tubes, besides widening radiating angle, beam softness and avoiding injuries from heat or weight if drop are major concerns when being touched or mounted.</p>		
<p>applications for home and general indoor illuminations.</p>		

LED LIGHT TUBE

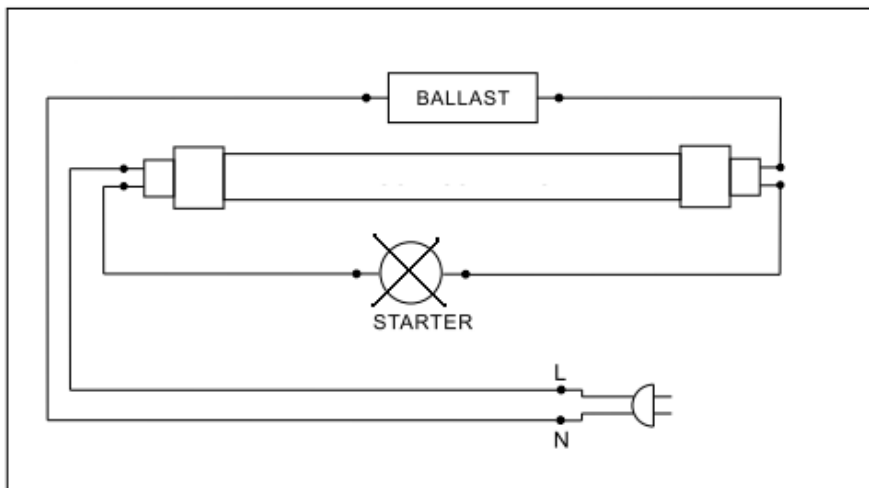
Direct installation

1. Switch off the power!
2. Direct installation.



BALLAST installation

1. Switch off the power!
2. Remove the starter and the traditional lamp.
3. Installation of LED lamps.



Electronic BALLAST Installation

1. Switch off the power!
2. Remove the installation of electronic ballast and traditional light bulbs.
3. Installation of LED lamps.

