



MODEL: SL171196HW60

**OASISTYLE LIGHTING CO., LTD.**

REV

A

DATE

2009-09-30

**T8 4-foot level of LED lamps home lighting**

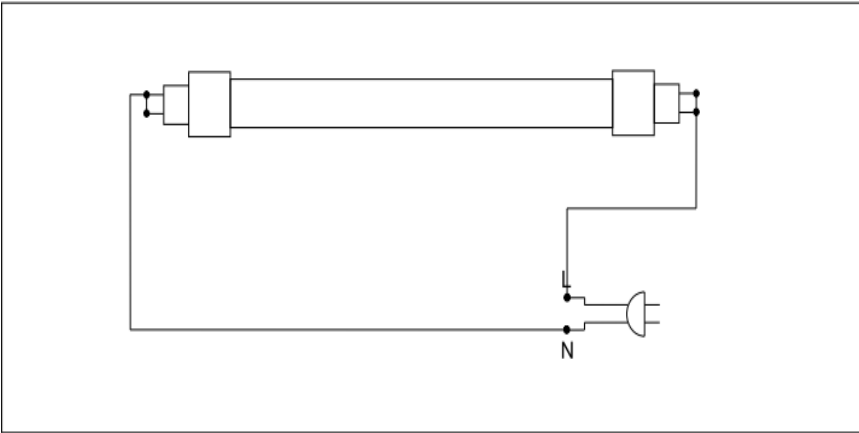
**2 Year Life Span Warranty**

INPUT	POWER CONSUMPTION	17W
	INPUT VOLTAGE RANGE	85~ 265V/AC
	INPUT FREQUENCY RANGE	47~63 Hz
	POWER FACTOR	>0.9
	EFFICIENCY	> 88%
Output	Output Current(mA)	±3%
	Thermo shift (%)	±3%
Protection	Short Protection	Automatic Recovery
	Over Voltage Protection	Automatic Recovery
	Over Current Protection	Automatic Recovery
	Over Temp. Protection	Automatic Recovery
Environment	Operating Temp.(°C)	-10~ + 85
Others	Standard Size(mm)	1196 mm Weight: 300g
<p>With dual tone PVC housing to specify top/ bottom of light tubes, besides widening radiating angle, beam softness and avoiding injuries from heat or weight if drop are major concerns when being touched or mounted.</p>		
<p><b>applications for home and general indoor illuminations.</b></p>		

# LED LIGHT TUBE

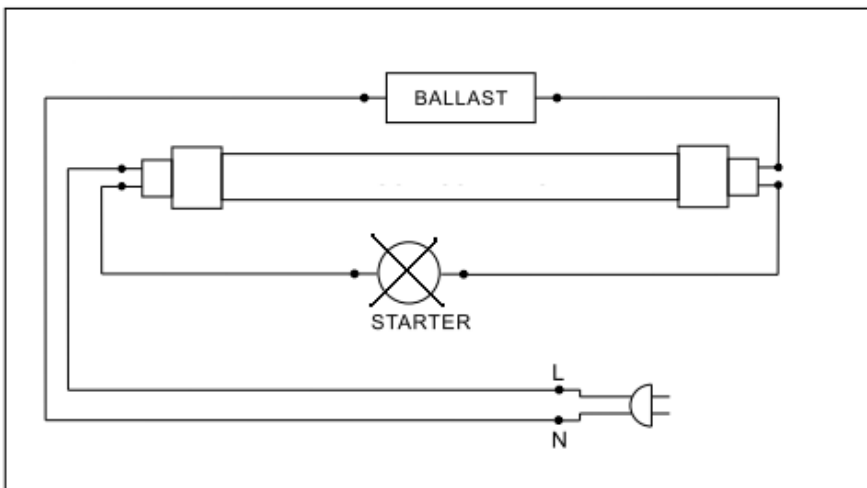
## Direct installation

1. Switch off the power!
2. Direct installation.



## BALLAST installation

1. Switch off the power!
2. Remove the starter and the traditional lamp.
3. Installation of LED lamps.



## Electronic BALLAST Installation

1. Switch off the power!
2. Remove the installation of electronic ballast and traditional light bulbs.
3. Installation of LED lamps.

