



# DATA SHEET

● DEVICE NUMBER :

DATE \ SHEET	1	2	3	4	5	6	7	8			CONTENTS
2011.11.23	1.0	1.0	1.0	1.0	1.0	1.0	1.0	1.0			Original Released

源晶光电科技有限公司

SOURCECHIP OPTOELECTRONICS TECH CO., LTD.

广东东莞长安乌沙社区

**Tel:** 0769-81608182

**Fax:** 0769-81608083

sourcechip@sourechip.com.



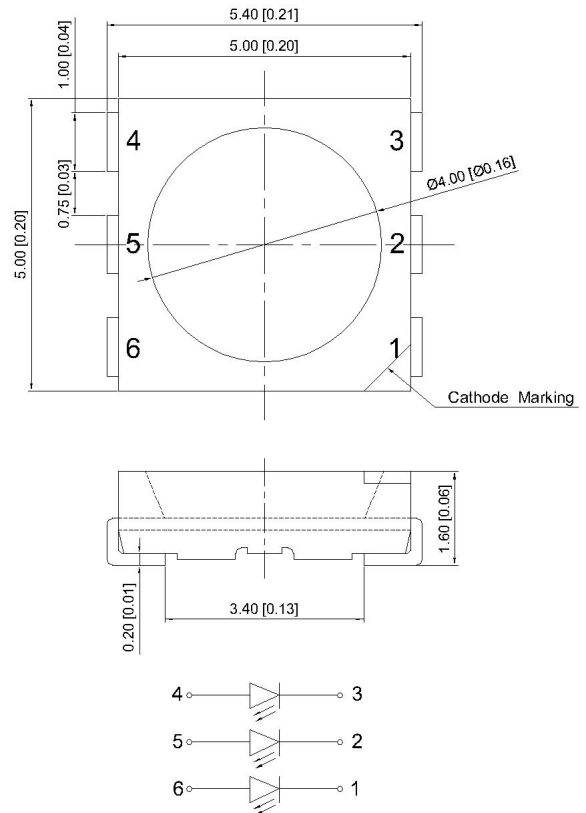
### ● Features:

1. Emitted Color: White.
2. Lens Appearance: Yellow diffuse.
3. 5.4\*5.0\*1.6mm standard package.
4. Suitable for all SMT assembly methods.
5. Compatible with infrared and vapor phase reflow solder process.
6. Compatible with automatic placement equipment.
7. This product doesn't contain restriction Substance, comply ROHS standard.

### ● Applications:

1. Automotive: Dashboards, stop lamps turn signals.
2. Backlighting: LCDs, Key pads advertising.
3. Status indicators: Consumer & industrial electronics.
4. General use.

### ● Package Dimensions:



### NOTES:

1. All dimensions are in millimeters (inches).
2. Tolerance is  $\pm 0.10\text{mm}$  (0.004") unless otherwise specified.
3. Specifications are subject to change without notice.

### ● Absolute Maximum Ratings(Ta=25°C)

Parameter	Symbol	Rating	Unit
Power Dissipation	Pd	100	mW
Forward Current	I <sub>F</sub>	20	mA
Peak Forward Current*1	I <sub>FP</sub>	100	mA
Reverse Voltage	V <sub>R</sub>	5	V
Operating Temperature	Topr	-40°C~100°C	-
Storage Temperature	Tstg	-40°C~100°C	-

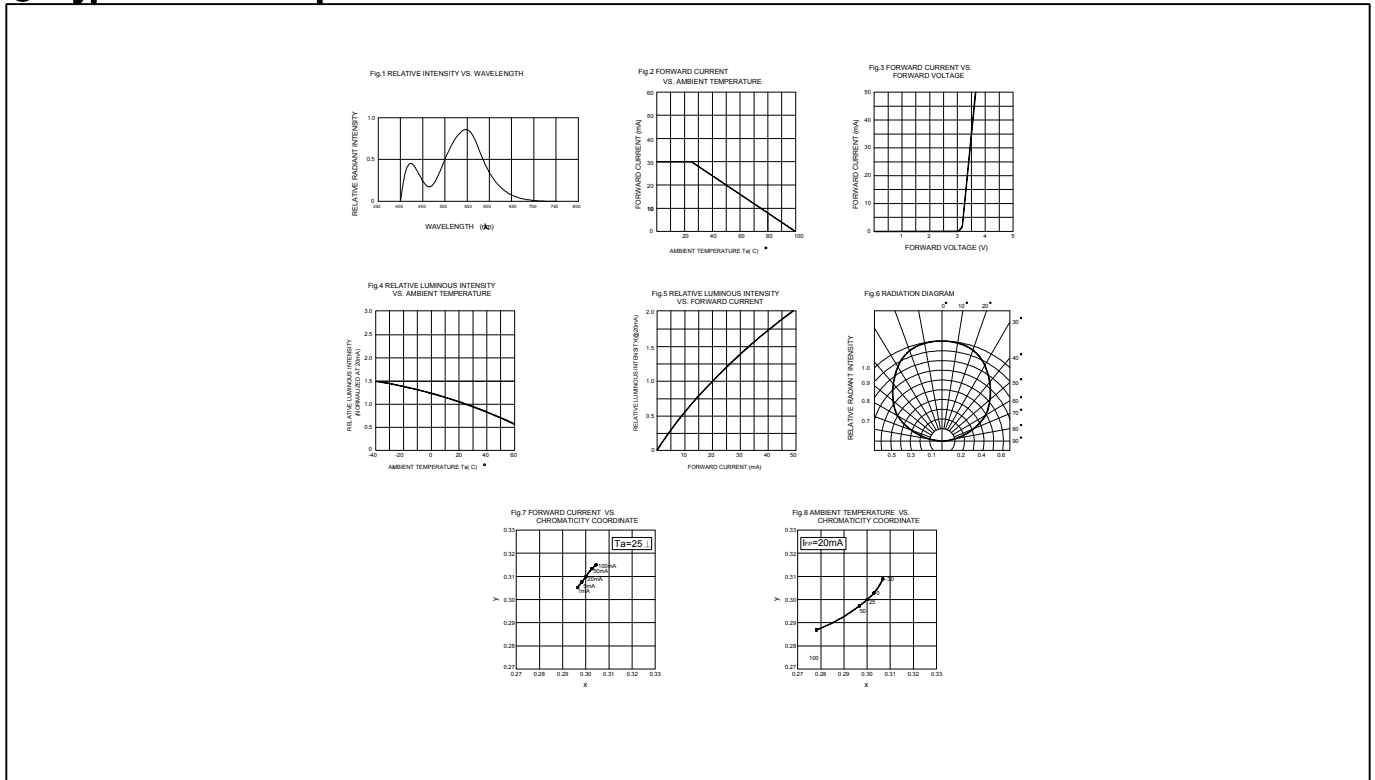
\*1 Condition for I<sub>FP</sub> is pulse of 1/10 duty and 3 msec width.



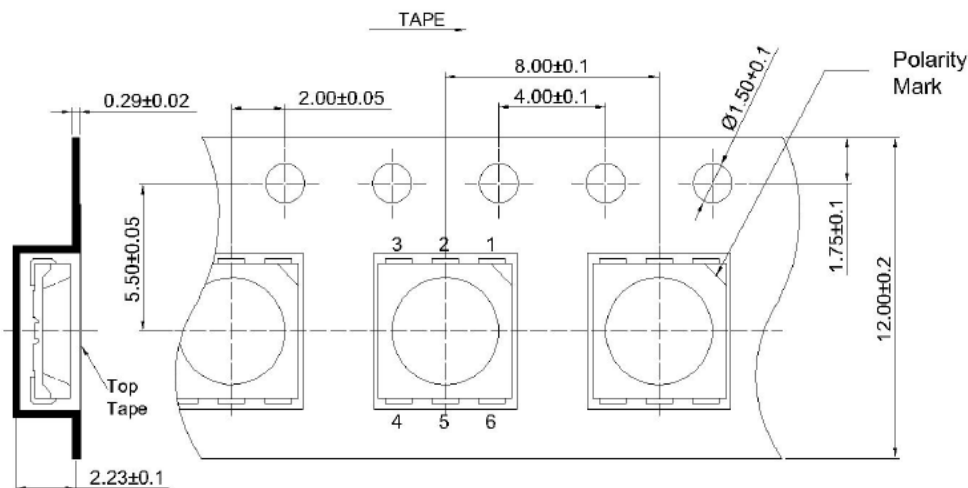
● Electrical and optical characteristics(Ta=25°C)

Parameter	Symbol	Condition	Min.	Typ.	Max.	Unit
Forward Voltage	Vf	I <sub>F</sub> =20mA*3	3.0	3.1	3.4	V
Luminous Intensity	I <sub>v</sub>	I <sub>F</sub> =20mA*3	---	---	---	mcd
Total Flux	Φ <sub>v</sub>	I <sub>F</sub> =20mA*3	13	---	16	lm
Color Temperature	CCT	I <sub>F</sub> =20mA*3	6000	---	6500	K
Reverse Current	I <sub>R</sub>	V <sub>R</sub> =5V	--	--	10	μA
Viewing Angle	2θ <sub>1/2</sub>	I <sub>F</sub> =20mA*3	--	120	-	deg

● Typical Electro-Optical Characteristics Curves



● Tapping and packaging specifications(Units: mm)





● Package Method:(unit:mm)

