



DATA SHEET

● DEVICE NUMBER :

DATE \ SHEET	1	2	3	4	5	6	7	8			CONTENTS
2011.11.23	1.0	1.0	1.0	1.0	1.0	1.0	1.0	1.0			Original Released

源晶光电科技有限公司

SOURCECHIP COPOELECTRONICS TECH CO., LTD.
广东东莞长安乌沙社区
Tel: 0769-81608182
Fax: 0769-81608083
sourcechip@sourechip.com



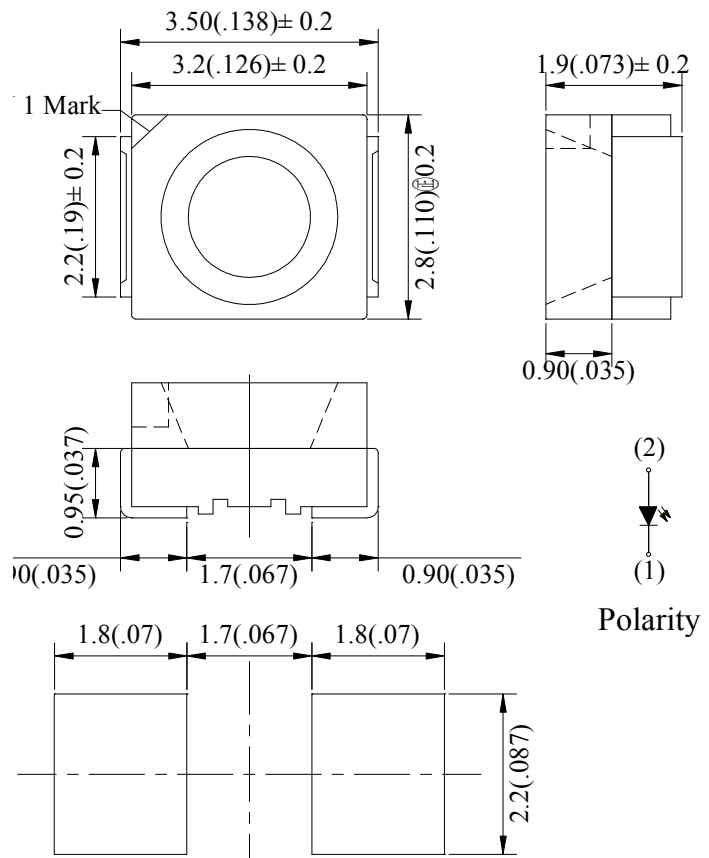
● **Features:**

1. Emitted Color: White.
2. Lens Appearance: Yellow diffuse.
3. 2.8x3.5x1.9mm standard package.
4. Suitable for all SMT assembly methods.
5. Compatible with infrared and vapor phase reflow solder process.
6. Compatible with automatic placement equipment.
7. This product doesn't contain restriction Substance, comply ROHS standard.

● **Applications:**

1. Automotive: Dashboards, stop lamps turn signals.
2. Backlighting: LCDs, Key pads advertising.
3. Status indicators: Consumer & industrial electronics.
4. General use.

● **Package Dimensions:**



NOTES:

1. All dimensions are in millimeters (inches).
2. Tolerance is $\pm 0.10\text{mm}$ ($0.004''$) unless otherwise specified.
3. Specifications are subject to change without notice.

● **Absolute Maximum Ratings(Ta=25°C)**

Parameter	Symbol	Rating	Unit
Power Dissipation	Pd	100	mW
Forward Current	I _F	20	mA
Peak Forward Current*1	I _{FP}	100	mA
Reverse Voltage	V _R	5	V
Operating Temperature	Topr	-40°C~100°C	-
Storage Temperature	Tstg	-40°C~100°C	-

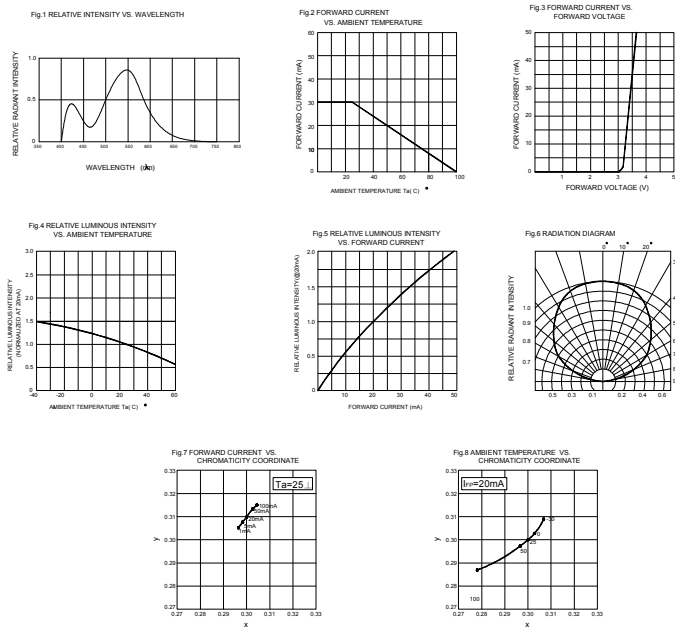
*1 Condition for I_{FP} is pulse of 1/10 duty and 3 msec width.



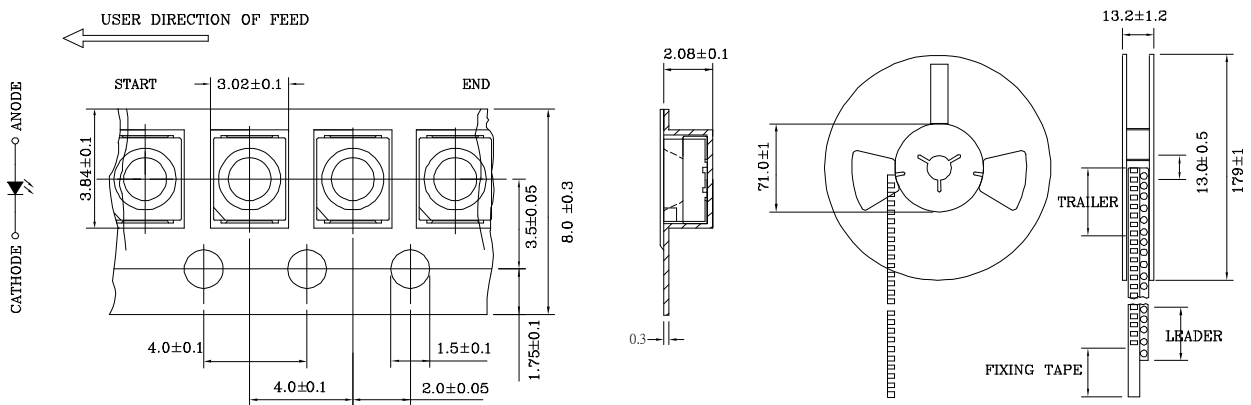
● Electrical and optical characteristics(Ta=25°C)

Parameter	Symbol	Condition	Min.	Typ.	Max.	Unit
Forward Voltage	Vf	I _F =20mA	3.0	3.2	3.4	V
Luminous Intensity	I _v	I _F =20mA	---	---	---	mcd
Total Flux	Φ _v	I _F =20mA	6.0	---	7.0	lm
Color Temperature	CCT	I _F =20mA	6000	---	6500	K
Reverse Current	I _R	V _R =5V	--	--	10	μA
Viewing Angle	2θ _{1/2}	I _F =20mA	--	120	-	deg

● Typical Electro-Optical Characteristics Curves



● Tapping and packaging specifications(Units: mm)



NOTE:2000 PCS PER REEL

● Package Method:(unit:mm)

